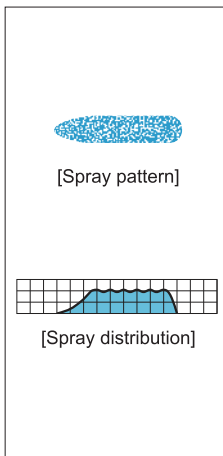


# Quick-detachable Off-center Even Flat Spray Nozzles

# INOVVE

Flat Spray



### [Features]

- Off-center flat spray pattern with even distribution.
- In addition to the benefits of OVVEP series, INOVVE is easy to install and remove—just turning the nozzle tip until it clicks. No need to adjust spray direction.
- Made of high chemical and heat resistant polypropylene.

### [Standard pressure]

0,3 MPa

### [Applications]

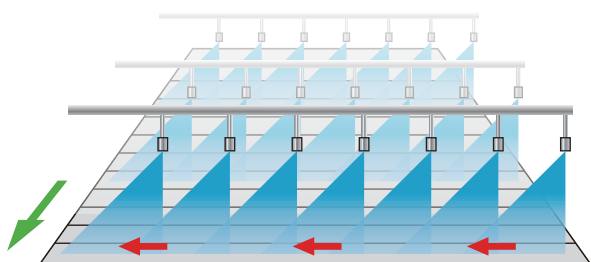
Cleaning, Rinsing  
Etching

## INOVVE series

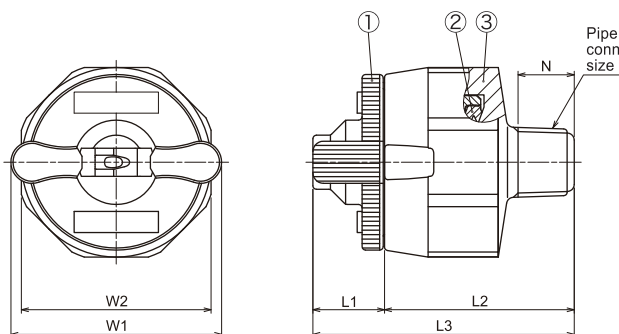
INOVVE series	
Structure	<ul style="list-style-type: none"> <li>• Two-piece structure comprising a nozzle tip (with packing) and an adaptor.</li> <li>• Easy installation and removal of the nozzle tip just by turning 60°.</li> </ul>
Material	<ul style="list-style-type: none"> <li>• Nozzle tip: PP</li> <li>• Adaptor: PP or PPS</li> <li>• Packing: FEPM</li> </ul>

Pipe conn. size	Dimensions (mm)						Mass (g)	
	L1	L2	L3	W1	W2	N	PP	PPS
R1/8	10	27	37	30	27	8	9	12
R1/4	10	30	40	30	27	11,5	10	13
R3/8	10	30	40	30	27	12	11	14

- ← Flow of foreign particles
- Flow of conveyer



Spraying in one direction prevents accumulation of spray fluid and foreign particles.



① Nozzle tip ② Packing (FEPM) ③ Adaptor

### [Note]

- Appearance and dimensions may differ slightly depending on materials and nozzle codes.
- Tab line conforms with the flat spray spread direction.

Spray capacity code	Pipe connection size			Spray angle (°)			Spray capacity (ℓ/min)				Mean droplet diameter (μm)	Free passage diameter (mm)
	R1/8	R1/4	R3/8	0.15 MPa	0.3 MPa	0.5 MPa	0.15 MPa	0.3 MPa	0.5 MPa	0.7 MPa		
30	○	○	○	42	45	46	2.12	3.00	3.88	4.58	600–800	1.0
50	○	○	○	42	45	46	3.54	5.00	6.46	7.64		1.3

[Note] Please see page 23 for the range of operating pressure and liquid temperature.

## How to order

Please inquire or order for a specific nozzle using this coding system.

### ① Complete assemblies

〈Example〉 1/4M INOVVE 4530PP (FEPM) + PP

1/4M INOVVE 45 30 PP (FEPM) + PP

Pipe conn. size\*

- 1/8M
- 1/4M
- 3/8M

Spray capacity code

- 30
- 50

Adaptor material

- PP
- PPS

### ② Nozzle tip only (with packing)

〈Example〉 INOVVE 4530PP (FEPM)

INOVVE 45 30 PP (FEPM)

Spray capacity code

- 30
- 50

\*\*"M" indicates male thread ("R" of the ISO standard) and "F" indicates female thread ("Rc" of the ISO standard), e.g. 1/8M = R1/8.