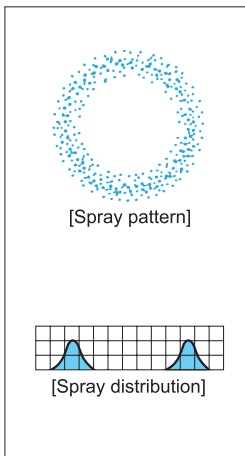


Small Capacity Hollow Cone Spray Nozzles

KD

Hollow Cone



[Features]

- Small capacity hollow cone spray nozzle. Three-piece structure.
- Combines compact design and semi-fine atomization capability.
- The whirl chamber is formed by a ceramic orifice and whirler, which provides excellent wear-resistance.

[Standard pressure]

0.3 MPa

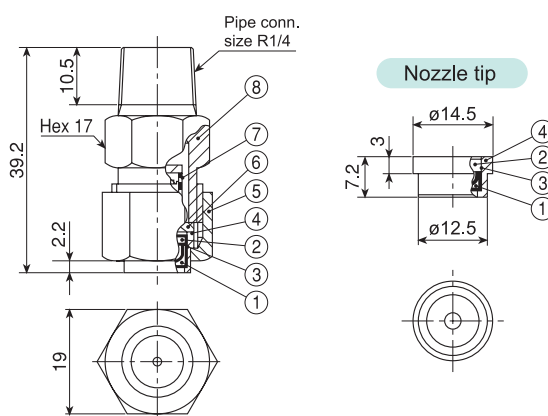
[Applications]

Cooling: Gas
Spraying: Chemicals, dust suppression

KD series

KD series (with ceramic orifice inserted)	
Structure	<ul style="list-style-type: none"> • Nozzle orifice and whirler are made of ceramics. • Comprises three parts: Nozzle tip, cap, and adaptor. Worn-out nozzle tip can be replaced separately. • Small spray capacity models (KD03 and KD033) come with or without a strainer.
Material	<ul style="list-style-type: none"> • Nozzle orifice & whirler: ceramic • Metal parts: S303 or B (brass) • Optional material: S316 or others
Mass	<ul style="list-style-type: none"> • Complete assemblies* S303: 46 g, B (brass): 49 g • Nozzle tip S303: 3 g, B (brass): 3 g

*When with a strainer, add 2–5 g to the above mass and 2 mm to the total length.
[Note] Appearance and dimensions may differ slightly depending on materials and nozzle codes.



- ①Ceramic orifice ②Ceramic whirler ③Adhesive: Araldite®
④Tip retainer ⑤Cap ⑥Strainer holder ⑦Strainer screen (S316)
⑧Adaptor

Spray capacity code	Pipe conn. size	Spray angle (°)			Spray capacity (ℓ/min)										Mean droplet diameter (μm)	Free passage diameter (mm)
		0.15 MPa	0.3 MPa	0.7 MPa	0.1 MPa	0.15 MPa	0.2 MPa	0.3 MPa	0.5 MPa	0.7 MPa	1 MPa	1.5 MPa	2 MPa			
03	●	—	80	85	—	—	0.25	0.30	0.38	0.44	0.52	0.63	0.72	130	0.7	
033	●	—	80	88	—	—	0.27	0.33	0.42	0.49	0.58	0.69	0.79			
037	○	—	70	75	—	—	0.31	0.37	0.47	0.55	0.64	0.77	0.88	200	1.0	
042	○	90	93	97	—	0.30	0.35	0.42	0.53	0.62	0.73	0.88	1.00			
057	○	78	85	90	—	0.41	0.47	0.57	0.72	0.84	0.99	1.19	1.36	260	1.1	
068	○	90	95	99	—	0.49	0.56	0.68	0.86	1.01	1.18	1.42	1.62			
084	○	90	95	103	0.50	0.61	0.70	0.84	1.05	1.21	1.42	1.69	1.92	260	1.3	
116	○	66	70	72	0.70	0.84	0.96	1.16	1.45	1.68	1.96	2.34	2.65			
146	○	74	78	80	0.88	1.06	1.21	1.46	1.85	2.16	2.54	3.05	3.49	310	1.8	
176	○	71	73	75	1.06	1.27	1.46	1.76	2.22	2.60	3.06	3.68	4.20			
182	○	81	87	91	1.10	1.32	1.51	1.82	2.30	2.69	3.17	3.81	4.34	420	1.8	
211	○	83	88	92	1.27	1.53	1.75	2.11	2.67	3.12	3.67	4.41	5.04			
224	○	75	80	82	1.34	1.62	1.85	2.24	2.83	3.31	3.90	4.69	5.35	420	1.7	
262	○	75	80	83	1.57	1.90	2.17	2.62	3.31	3.87	4.56	5.48	6.25			
316	○	93	97	97	1.90	2.29	2.62	3.16	3.99	4.67	5.50	6.61	7.54	420	1.8	
394	○	83	87	91	2.36	2.85	3.26	3.94	4.98	5.82	6.86	8.24	9.40			

●: Available with/without strainer (mesh size #50) ○: Available without strainer

How to order

Please inquire or order for a specific nozzle using this coding system.

① Complete assemblies

<Example> 1/4M KD 03 S303W

1/4M KD	03	S303	W
Spray capacity code	Material	Strainer	
03	S303	W (with strainer)	
394	B	(Blank denotes "without strainer")	

② Nozzle tip only

<Example> 1/4 KD 03 S303

1/4 KD	03	S303
Spray capacity code	Material	
03	S303	
394	B	