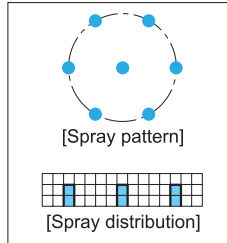
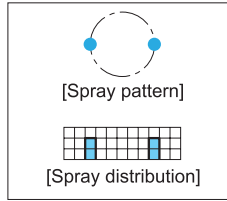
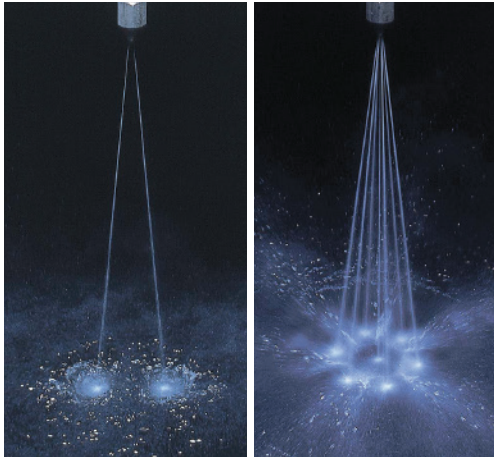


Multiple-orifice Solid Stream Jet

2CCP·7CCP/2CP·7CP

Solid Stream



[Features]

- Multiple solid streams with high impact force.
- 2-orifice and 7-orifice types are available.
- Compact design.

[Standard pressure]

1 MPa

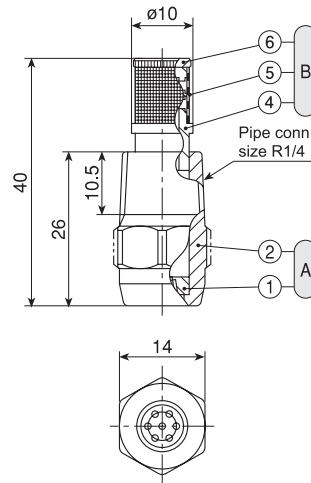
[Applications]

Cleaning: Wire and felt parts of papermaking machines, dandy rolls, machine parts, bottles, vehicles, returnable containers

2CCP/7CCP series

2CCP and 7CCP series (All metal)	
Structure	• Made of metal, one-piece structure.
Material	• S303 • Optional material: S420J2 (Nozzle orifice only)
Mass*1	• 16 g

*1) When with a strainer, add 2–5 g to the above mass.



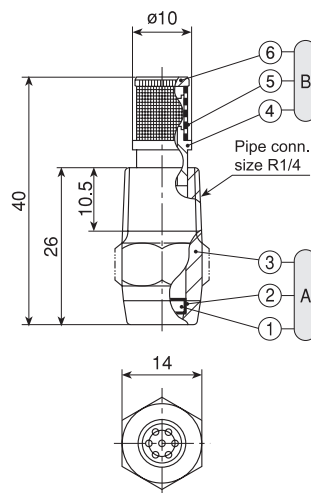
- A) Nozzle** (①Nozzle orifice ②Nozzle body)
B) Strainer (④Strainer holder ⑤Strainer screen ⑥Strainer cap)

[Note] Appearance and dimensions may differ slightly depending on materials and nozzle codes.

2CP/7CP series

2CP and 7CP series (with ceramic orifice inserted)	
Structure	• One-piece structure with ceramic orifice inserted.
Material	• Nozzle orifice: ceramic • Metal parts: S303
Mass*1	• 17 g

*1) When with a strainer, add 2–5 g to the above mass.



- A) Nozzle** (①Ceramic orifice ②Adhesive: Araldite® ③Nozzle body)
B) Strainer (④Strainer holder ⑤Strainer screen ⑥Strainer cap)

[Note] Appearance and dimensions may differ slightly depending on materials and nozzle codes.

Two-orifice type

Spreading angle code	Spray capacity code	2CCP (Metal)	2CP (Ceramic orifice inserted)	Spreading angle ² (°)			Spray capacity (ℓ/min)						Free passage diameter (mm)	Strainer mesh size	
				0.5 MPa	1 MPa	2 MPa	0.3 MPa	0.5 MPa	0.7 MPa	1 MPa	1.5 MPa	2 MPa			3 MPa
25	09		●	25	25	25	0.47	0.61	0.72	0.86	1.05	1.22	1.49	0.5	100
	12		●	25	25	25	0.68	0.88	1.04	1.24	1.52	1.75	2.15	0.6	100
	17	●	●	25	25	25	0.92	1.19	1.41	1.68	2.06	2.38	2.91	0.7	50
	22	●	●	25	25	25	1.19	1.54	1.82	2.18	2.67	3.08	3.78	0.8	50
	34	○	○	25	25	25	1.87	2.42	2.86	3.42	4.19	4.84	5.92	1.0	—
15	09		●	15	15	15	0.47	0.61	0.72	0.86	1.05	1.22	1.49	0.5	100
	12		●	15	15	15	0.68	0.88	1.04	1.24	1.52	1.75	2.15	0.6	100
	17	●	●	15	15	15	0.92	1.19	1.41	1.68	2.06	2.38	2.91	0.7	50
	22	●	●	15	15	15	1.19	1.54	1.82	2.18	2.67	3.08	3.78	0.8	50
	34	○	○	15	15	15	1.87	2.42	2.86	3.42	4.19	4.84	5.92	1.0	—
10	09		●	10	10	10	0.47	0.61	0.72	0.86	1.05	1.22	1.49	0.5	100
	12		●	10	10	10	0.68	0.88	1.04	1.24	1.52	1.75	2.15	0.6	100
	17	●	●	10	10	10	0.92	1.19	1.41	1.68	2.06	2.38	2.91	0.7	50
	22	●	●	10	10	10	1.19	1.54	1.82	2.18	2.67	3.08	3.78	0.8	50
	34	○	○	10	10	10	1.87	2.42	2.86	3.42	4.19	4.84	5.92	1.0	—

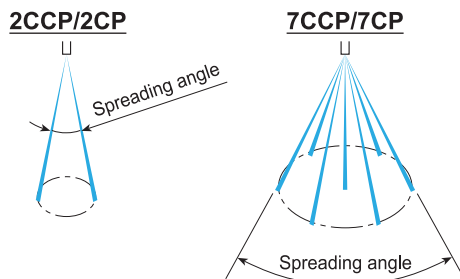
●: Available with/without strainer ○: Available without strainer

Seven-orifice type

Spreading angle code	Spray capacity code	7CCP (Metal)	7CP (Ceramic orifice inserted)	Spreading angle ² (°)			Spray capacity (ℓ/min)						Free passage diameter (mm)	Strainer mesh size	
				0.5 MPa	1 MPa	2 MPa	0.3 MPa	0.5 MPa	0.7 MPa	1 MPa	1.5 MPa	2 MPa			3 MPa
15	30		●	15	15	15	1.65	2.13	2.52	3.01	3.69	4.26	5.21	0.5	100
	43		●	15	15	15	2.38	3.07	3.63	4.34	5.32	6.14	7.52	0.6	100
	59	●	●	15	15	15	3.22	4.16	4.92	5.88	7.20	8.32	10.2	0.7	50
	76	●	●	15	15	15	4.18	5.40	6.38	7.63	9.34	10.8	13.2	0.8	50
	119	○	○	15	15	15	6.52	8.41	9.96	11.9	14.6	16.8	20.6	1.0	—

●: Available with/without strainer ○: Available without strainer

*2) Spreading angle means the angle between solid streams.



How to order

Please inquire or order for a specific nozzle using this coding system.

① Two-orifice type (2CCP/2CP series)

〈Example〉 1/4M 2CCP 2517 S303W

1/4M 2CCP 25 17 S303 W

Series	Spreading angle code	Spray capacity code	Strainer
2CCP	25	09	W (with strainer)
2CP	15	}	(Blank denotes "without strainer")
	10	34	

② Seven-orifice type (7CCP/7CP series)

〈Example〉 1/4M 7CCP 1559 S303W

1/4M 7CCP 15 59 S303 W

Series	Spray capacity code	Strainer
7CCP	30	W (with strainer)
7CP	}	(Blank denotes "without strainer")
	119	