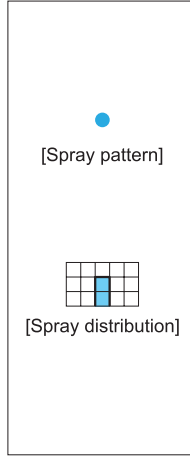


Standard Solid Stream Jet

CCP/CP

Solid Stream



[Features]

- Our highest impact solid stream. Interior design featuring minimal pressure drop generates much larger flow of solid stream jet as compared with other solid stream nozzles having the same orifice diameters.

[Standard pressure]

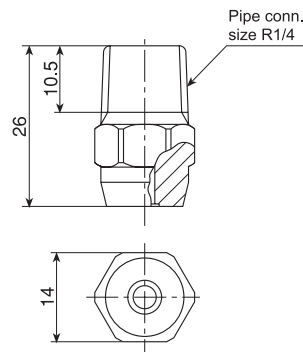
3 MPa

[Applications]

High pressure cleaning:
Wire and felt parts of paper making machines, vehicles, returnable containers, machinery, parts
Trimming: Paper making, asbestos plate

CCP series

CCP series	
Structure	• Made of metal, one-piece structure.
Material	<ul style="list-style-type: none"> • S303 [Note] Use CCP series nozzles below the pressure of 3.5 MPa. • Optional material: S316, B (brass)
Mass	• 20 g



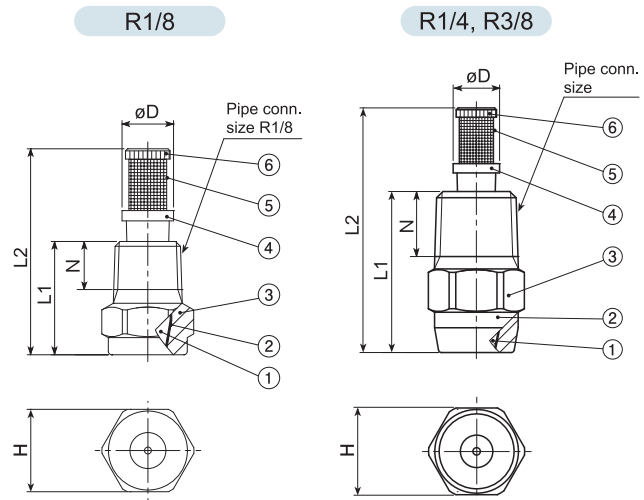
[Note] Appearance and dimensions may differ slightly depending on materials and nozzle codes.

CP series

CP series (with ceramic orifice inserted)	
Structure	• One-piece structure with ceramic orifice inserted.
Material	<ul style="list-style-type: none"> • Nozzle orifice: ceramic • Metal parts: S303 or B (brass) • Optional material: S316

Pipe conn. size	Dimensions (mm)					Mass (g)*1	
	L1	L2	H	øD	N	S303	B
R1/8	16.5	30	12	7.5	7	7.1	7.8
R1/4	26	39.5	14	7.5	10.5	19.5	21
R3/8	30	—	19	—	11	38	40

*1) When with a strainer, add 2–5 g to the above mass.



①Ceramic orifice ②Adhesive: Araldite® ③Nozzle body
④Strainer holder ⑤Strainer screen ⑥Strainer cap

No strainer available for size R3/8.

[Note] Appearance and dimensions may differ slightly depending on materials and nozzle codes.

Spray capacity code	Pipe connection size				Spray capacity (ℓ/min)													Free pass. dia. (mm)	Strainer mesh size
	CCP		CP		0.1 MPa	0.3 MPa	0.5 MPa	0.7 MPa	1 MPa	2 MPa	3 MPa	4 MPa	5 MPa	6.5 MPa	8 MPa	10 MPa	15 MPa		
	R1/4	R1/8	R1/4	R3/8															
25		●	●		0.45	0.78	1.01	1.19	1.43	2.02	2.47	2.85	3.19	3.64	4.03	4.51	5.52	0.8	50
31		●	●		0.56	0.98	1.26	1.49	1.78	2.52	3.09	3.57	3.99	4.55	5.05	5.64	6.91	0.9	50
37		○	○		0.68	1.17	1.51	1.79	2.14	3.03	3.71	4.28	4.79	5.46	6.06	6.77	8.30	1.0	—
43		○	○		0.79	1.37	1.77	2.09	2.50	3.54	4.33	5.00	5.59	6.37	7.06	7.91	9.67	1.1	—
49		○	○		0.90	1.56	2.02	2.39	2.86	4.04	4.94	5.71	6.38	7.28	8.07	9.04	11.1	1.2	—
56		○	○		1.02	1.76	2.27	2.69	3.22	4.54	5.56	6.42	7.18	8.19	9.08	10.2	12.4	1.2	—
62		○	○		1.13	1.95	2.52	2.99	3.57	5.05	6.18	7.14	7.98	9.10	10.1	11.3	13.8	1.3	—
68		○	○		1.24	2.15	2.78	3.28	3.93	5.55	6.80	7.85	8.79	10.0	11.1	12.4	15.2	1.4	—
74		○	○		1.35	2.35	3.03	3.58	4.29	6.06	7.42	8.56	9.58	10.9	12.1	13.6	16.6	1.4	—
80		○	○		1.47	2.54	3.28	3.88	4.65	6.56	8.04	9.28	10.4	11.8	13.1	14.7	18.0	1.5	—
87		○	○		1.58	2.74	3.54	4.18	5.00	7.07	8.66	10.0	11.2	12.8	14.1	15.8	19.4	1.6	—
93		○	○		1.69	2.93	3.79	4.48	5.36	7.58	9.28	10.7	12.0	13.7	15.2	17.0	20.8	1.6	—
99		○	○		1.81	3.13	4.04	4.78	5.72	8.08	9.89	11.4	12.8	14.6	16.2	18.1	22.1	1.7	—
111		○	○		2.03	3.51	4.53	5.36	6.43	9.09	11.1	12.9	14.4	16.4	18.2	20.3	24.9	1.8	—
124		○	○		2.26	3.92	5.06	5.99	7.15	10.1	12.4	14.3	16.0	18.2	20.2	22.6	27.7	1.9	—
136	○	○	○		2.48	4.30	5.55	6.57	7.85	11.1	13.6	15.7	17.6	20.0	22.2	24.8	30.4	2.0	—
148		○	○		2.70	4.68	6.04	7.15	8.57	12.1	14.8	17.1	19.2	21.8	24.2	27.1	33.2	2.0	—
161		○	○		2.94	5.09	6.57	7.78	9.28	13.1	16.1	18.6	20.8	23.7	26.2	29.3	35.9	2.1	—
173		○	○		3.16	5.47	7.06	8.36	9.99	14.1	17.3	20.0	22.4	25.5	28.3	31.6	38.7	2.2	—
186		○	○		3.40	5.88	7.59	8.98	10.7	15.2	18.6	21.4	24.0	27.3	30.3	33.9	41.5	2.3	—
198		○	○		3.61	6.26	8.08	9.56	11.4	16.2	19.8	22.8	25.5	29.1	32.3	36.1	44.2	2.4	—
210		○	○		3.83	6.64	8.57	10.1	12.1	17.2	21.0	24.3	27.1	30.9	34.3	38.4	47.0	2.4	—
223	○		○		4.07	7.05	9.10	10.8	12.9	18.2	22.3	25.7	28.7	32.8	36.3	40.6	49.8	2.5	—
247			○		4.51	7.81	10.1	11.9	14.3	20.2	24.7	28.6	31.9	36.4	40.4	45.2	55.3	2.6	—
272			○		4.97	8.60	11.1	13.1	15.7	22.2	27.2	31.4	35.1	40.0	44.4	49.7	60.8	2.7	—
297			○		5.42	9.39	12.1	14.3	17.1	24.2	29.7	34.3	38.3	43.7	48.5	54.2	66.4	2.9	—
322	○		○		5.88	10.2	13.1	15.6	18.6	26.3	32.2	37.1	41.5	47.3	52.5	58.7	71.9	3.0	—
346			○		6.32	10.9	14.1	16.7	20.0	28.3	34.6	40.0	44.7	51.0	56.5	63.2	77.4	3.1	—
371			○		6.77	11.7	15.1	17.9	21.4	30.3	37.1	42.8	47.9	54.6	60.6	67.7	82.9	3.2	—
396			○		7.23	12.5	16.2	19.1	22.8	32.3	39.6	45.7	51.1	58.2	64.6	72.2	88.5	3.3	—
420			○		7.67	13.3	17.1	20.3	24.3	34.3	42.0	48.5	54.3	61.9	68.7	76.8	94.0	3.4	—
445	○		○		8.12	14.1	18.2	21.5	25.7	36.3	44.5	51.4	57.5	65.5	72.7	81.3	99.5	3.5	—
470			○		8.58	14.9	19.2	22.7	27.1	38.4	47.0	54.3	60.7	69.2	76.7	85.8	105	3.6	—
495			○		9.04	15.7	20.2	23.9	28.6	40.4	49.5	57.1	63.8	72.8	80.8	90.3	111	3.7	—
519			○		9.48	16.4	21.2	25.1	30.0	42.4	51.9	60.0	67.0	76.4	84.8	94.8	116	3.8	—
544			○		9.93	17.2	22.2	26.3	31.4	44.4	54.4	62.8	70.2	80.1	88.8	99.3	122	3.9	—
569	○		○		10.4	18.0	23.2	27.5	32.8	46.4	56.9	65.7	73.4	83.7	92.9	104	127	4.0	—
594			○		10.8	18.8	24.2	28.7	34.3	48.5	59.4	68.5	76.6	87.4	96.9	108	133	4.1	—
717	○		○		13.1	22.7	29.3	34.6	41.4	58.6	71.7	82.8	92.6	106	117	131	160	4.5	—
767			○		14.0	24.3	31.3	37.0	44.3	62.6	76.7	88.5	99.0	113	125	140	171	4.6	—
890	○		○		16.2	28.1	36.3	43.0	51.4	72.7	89.0	103	115	131	145	163	199	5.0	—
1040	○		○		19.0	32.9	42.5	50.2	60.0	84.8	104	120	134	153	170	190	232	5.4	—

●: Available with/without strainer ○: Available without strainer

Solid Stream

Standard Solid Stream Jet
CCP/CP series

Sister Products

■ **Small orifice diameter CP series**

Solid Stream

Orifice diameter code	Pipe connection size		Spray capacity (ℓ/min)												Orifice diameter (mm)	Strainer mesh size
	R1/8	R1/4	1 MPa	2 MPa	2.5 MPa	3 MPa	3.5 MPa	4 MPa	4.5 MPa	5 MPa	6.5 MPa	8 MPa	10 MPa	15 MPa		
ø0.1	●	●	0.020	0.028	0.031	0.034	0.037	0.039	0.042	0.044	0.050	0.056	0.062	0.076	0.1	200
ø0.15	●	●	0.044	0.063	0.070	0.077	0.083	0.089	0.094	0.099	0.113	0.126	0.141	0.172	0.15	200
ø0.2	●	●	0.08	0.11	0.13	0.14	0.15	0.16	0.17	0.18	0.20	0.22	0.25	0.31	0.2	200
ø0.25	●	●	0.12	0.18	0.20	0.22	0.23	0.25	0.26	0.28	0.32	0.35	0.39	0.48	0.25	200
ø0.3	●	●	0.18	0.25	0.28	0.31	0.33	0.36	0.38	0.40	0.46	0.51	0.56	0.69	0.3	150
ø0.4	●	●	0.32	0.45	0.50	0.55	0.59	0.63	0.67	0.71	0.81	0.90	1.00	1.23	0.4	150
ø0.5	●	●	0.50	0.70	0.79	0.86	0.93	0.99	1.05	1.11	1.27	1.40	1.57	1.92	0.5	100
ø0.6	●	●	0.72	1.01	1.13	1.24	1.34	1.43	1.52	1.60	1.83	2.02	2.26	2.77	0.6	100
ø0.7	●	●	0.97	1.37	1.53	1.68	1.81	1.94	2.06	2.17	2.47	2.74	3.07	3.76	0.7	50
ø0.8	●	●	1.27	1.80	2.01	2.20	2.38	2.54	2.69	2.84	3.24	3.59	4.02	4.92	0.8	50

●: Available with/without strainer

[Note] The above nozzles are manufactured for specific orifice diameters, therefore spray capacity is not guaranteed.

How to order

Please inquire or order for a specific nozzle using this coding system.

① **Standard CP and CCP series**

⟨Example⟩ 1/8M CP 25 S303 W

Pipe conn. size ²	Series	Spray capacity code	Material	Strainer
1/8M	CCP	25	S303	W (with strainer)
1/4x1/8M	CP	∅	B	(Blank denotes "without strainer")
1/4M		1040		
3/8M				

② **Small orifice diameter CP series**

⟨Example⟩ 1/8M CP ø0.1 S303 W

Pipe conn. size ²	Orifice diameter code	Material	Strainer
1/8M	ø0.1	S303	W (with strainer)
1/4x1/8M	∅	B	(Blank denotes "without strainer")
	ø0.8		

*2) "M" indicates male thread ("R" of the ISO standard) and "F" indicates female thread ("Rc" of the ISO standard), e.g. 1/8M = R1/8. In the standard CP series, when spray capacity code is 25–210, pipe connection size for R1/4 is indicated as "1/4x1/8M". In the small orifice diameter CP series, pipe connection size for R1/4 is indicated as "1/4x1/8M".