

360° Rotatable Universal Joints

WUT



Photo is WUT Universal Joint with a spray nozzle.

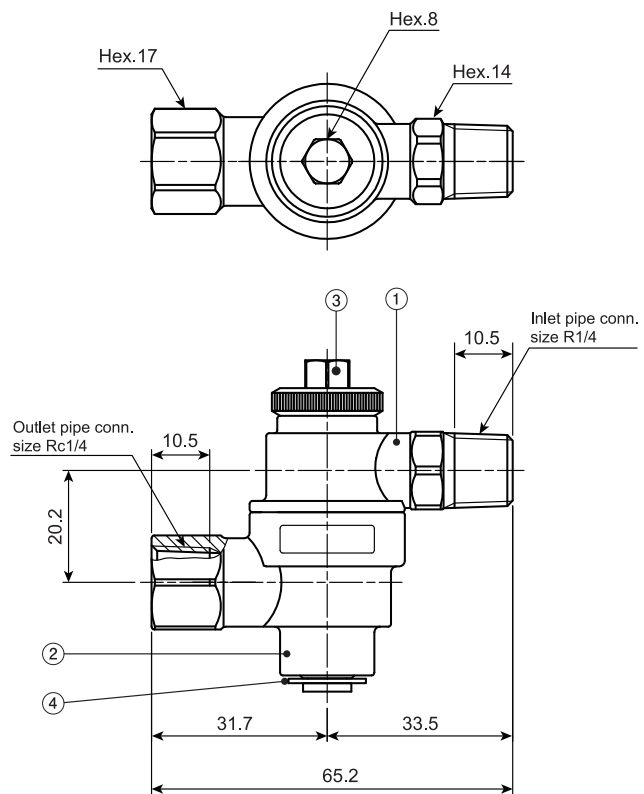
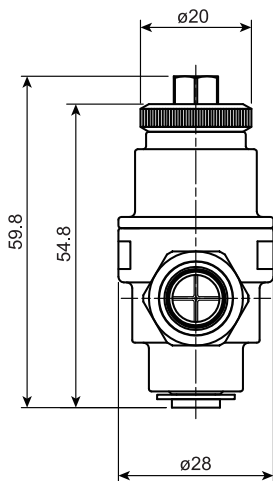


[Features]

- 360° rotatable to adjust spray direction.
- Includes the rotating lock to keep the nozzle direction fixed.
- Stabilizing function suppresses internal turbulent flow.
- Withstands high pressure up to 3 MPa.
- Safe design prevents parts from dropping off when the lock is released.
- R1/4 threaded nozzle is attachable.

WUT series

	WUT series
Material	<ul style="list-style-type: none"> • Adaptor: SCS13 • Bolt: S303 • E-ring: S304 • O-ring: NBR
Mass	<ul style="list-style-type: none"> • 146 g



①Adaptor ③Bolt ④E-ring

⚠ Cautions for use

- The bolt may loosen because of vibration if it is screwed in by hand. Tighten with a torque-wrench at **6 N-m.**
- Maximum working pressure is **3 MPa.**
- When used with a solid stream jet nozzle, slightly turbulent flow occurs.

How to order

Please inquire or order using this product code.

WUT 1/4M x1/4F SCS13

Others