

# Flat Spray Nozzles

SAP series



Material: S304

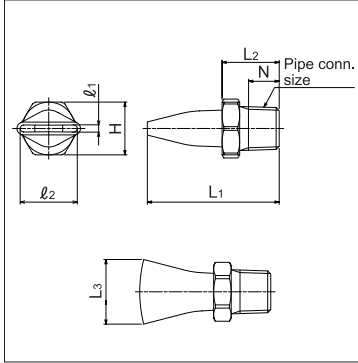
For blowers

Stainless Steel

### FEATURES

- Compact enough to install in a narrow space. 1/8M size is 29 mm long.
- Pressure loss is minimal to enable high spray impact performance.
- Compared to conventional, general-purpose air nozzles, SAP series provides larger spray coverage.

### ■ Drawing



### ■ Dimensions and mass

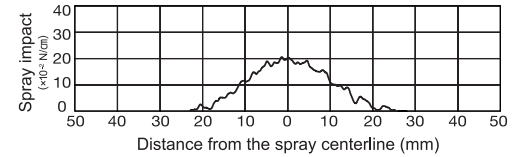
| Pipe conn. size | Outer dimensions (mm) |      |      |     |    |    |      | Mass (g) |
|-----------------|-----------------------|------|------|-----|----|----|------|----------|
|                 | L1                    | L2   | L3   | ℓ1  | ℓ2 | H  | N    |          |
| 1/8M            | 29                    | 13   | 14.7 | 1.5 | 13 | 12 | 7    | 10       |
| 1/4M            | 37                    | 17.5 | 18.9 | 1.5 | 17 | 14 | 10.5 | 16       |

| Pipe conn. size | Air consumption (ℓ/min, Normal) |        |        |        |        |
|-----------------|---------------------------------|--------|--------|--------|--------|
|                 | 10 kPa                          | 20 kPa | 30 kPa | 40 kPa | 50 kPa |
| 1/8M            | 120                             | 170    | 208    | 239    | 266    |
| 1/4M            | 167                             | 235    | 287    | 330    | 368    |

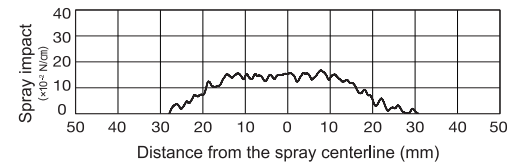
Compressor air can be used.  
(The above chart shows blower air consumption)

### ■ Spray impact distribution

【1/8MSAP13-15S304】 at air pressure 20 kPa, air consumption 0.17 m<sup>3</sup>/min (Normal), spray height 100 mm



【1/4MSAP17-15S304】 at air pressure 20 kPa, air consumption 0.24 m<sup>3</sup>/min (Normal), spray height 100 mm



### How to order

Please inquire or order for a specific nozzle as below.

①Pipe connection size: 1/8M  
1/8M SAP 13-15 S304

②Pipe connection size: 1/4M  
1/4M SAP 17-15 S304

# Solid Stream Jet

CCP-A series



Material: S303

For compressors

Stainless Steel

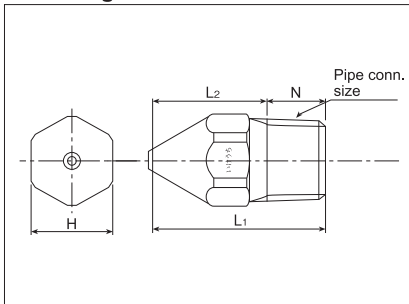
### FEATURES

- Spraying air in a solid stream through a single orifice yields strong propagation for highly effective air blowing.
- Product lineup orifice diameters range from φ1.0 to φ2.5 mm.
- Delivering good performance for low cost, ideal for use in large quantities.

### Round Type



### ■ Drawing

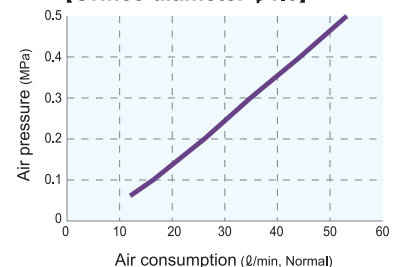


### ■ Dimensions and mass

| Pipe conn. size | Outer dimensions (mm) |      |    |      | Mass (g) |
|-----------------|-----------------------|------|----|------|----------|
|                 | L1                    | L2   | H  | N    |          |
| 1/8M            | 21                    | 14   | 10 | 7    | 7.2      |
| 1/4M            | 30                    | 19.5 | 14 | 10.5 | 19       |

| Orifice diameter code | Pipe conn. size | Air consumption (ℓ/min, Normal) |         |         |         |         | Orifice diameter (mm) |
|-----------------------|-----------------|---------------------------------|---------|---------|---------|---------|-----------------------|
|                       |                 | 0.1 MPa                         | 0.2 MPa | 0.3 MPa | 0.4 MPa | 0.5 MPa |                       |
| φ1.0A                 | 1/8M            | 17                              | 26      | 35      | 44      | 53      | 1.0                   |
| φ1.5A                 |                 | 40                              | 60      | 80      | 100     | 120     | 1.5                   |
| φ2.0A                 | 1/4M            | 70                              | 104     | 138     | 172     | 206     | 2.0                   |
| φ2.5A                 |                 | 109                             | 162     | 215     | 268     | 321     | 2.5                   |

### 【Orifice diameter φ1.0】



### How to order

Please inquire or order for a specific nozzle using this coding system.

<Example> 1/8M CCP φ1.0A S303

1/8M CCP φ1.0A S303

Pipe conn. size  
■ 1/8M  
■ 1/4M

Orifice diameter code  
■ φ1.0A ■ φ2.0A  
■ φ1.5A ■ φ2.5A